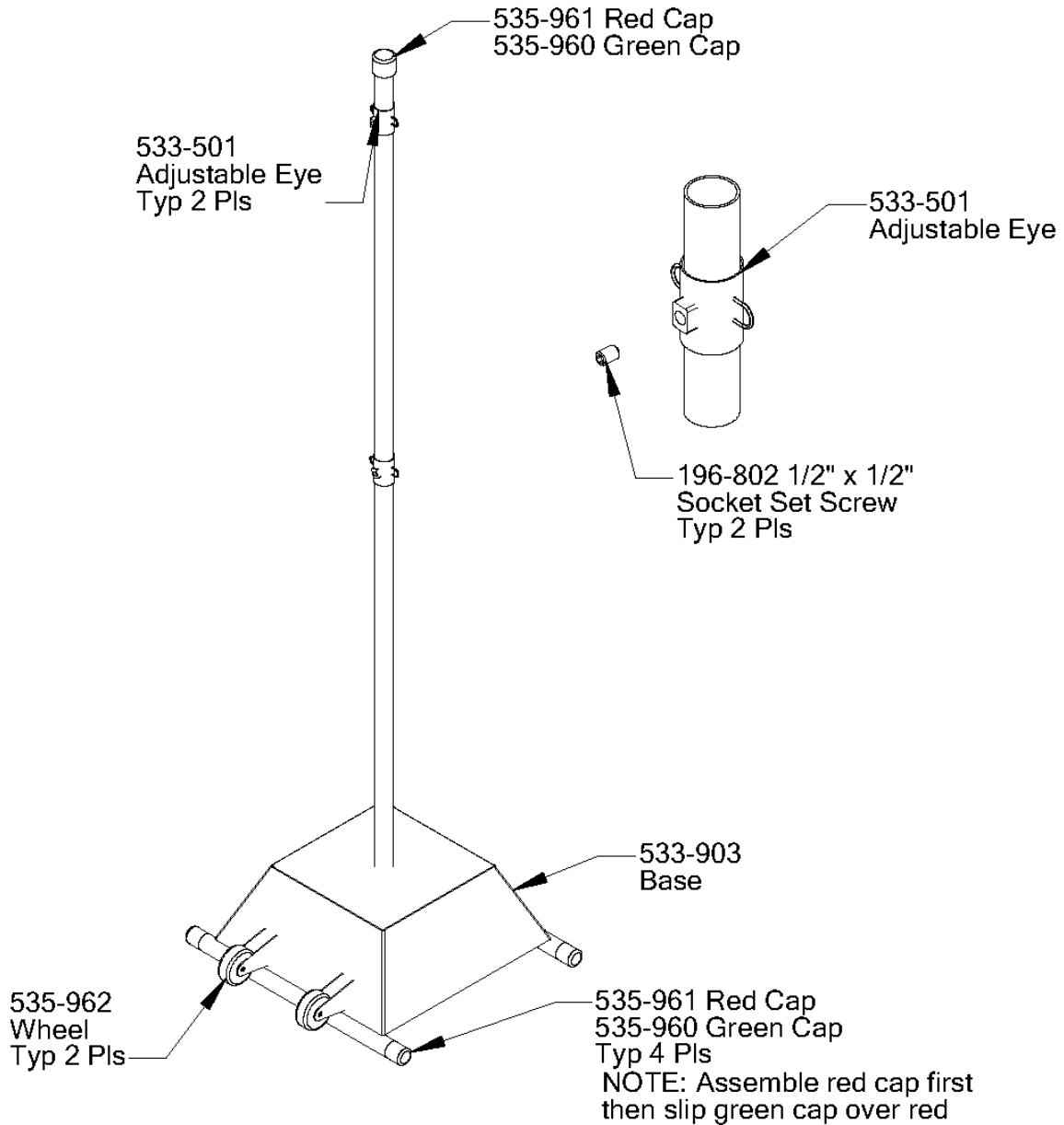


532-330 Portable Game Standard (Pair)

Page 1
Rev 03/20/2019

IMPORTANT

Please retain this instruction sheet in your files. It contains important replacement parts information. All equipment should be installed in accordance with these instructions.



PACKING LIST

1	CTN	1	Hardware Bag
		4	533-501 Adjustable Eye
2	BASE	1	533-903 Base Assembly

HARDWARE BAG

4	196-802	1/2" x 1/2" Socket Set Screw
1	416-400	1/4" Socket Key
10	535-960	Black Plastic Cap
10	535-961	2" Red Plastic Cap

NOTE: Assemble red cap first then slip green cap over red

1 CTN	2 BASE	3 TOTAL PCS	WT 300#	CLASS 70
-------	--------	-------------	---------	----------

SportsPlay Equipment, Inc. 8505 Delmar Blvd, Ste G, University City, MO 63124
(800) 727-8180
www.sportsplayinc.com